

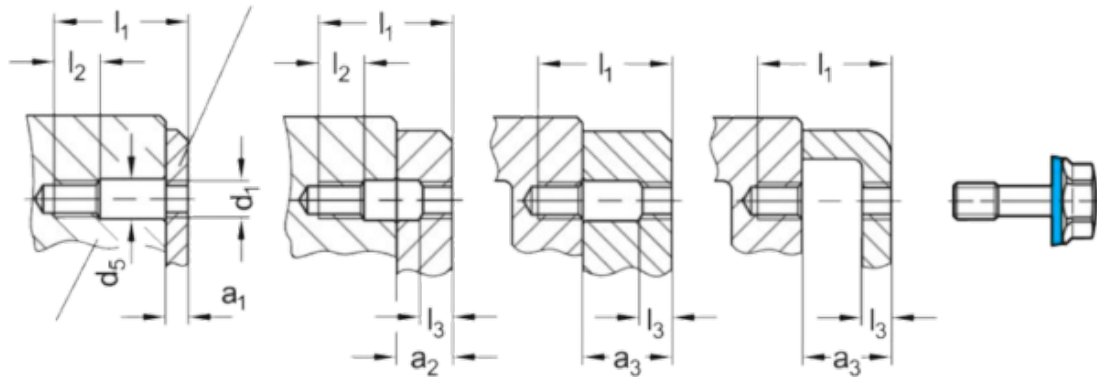
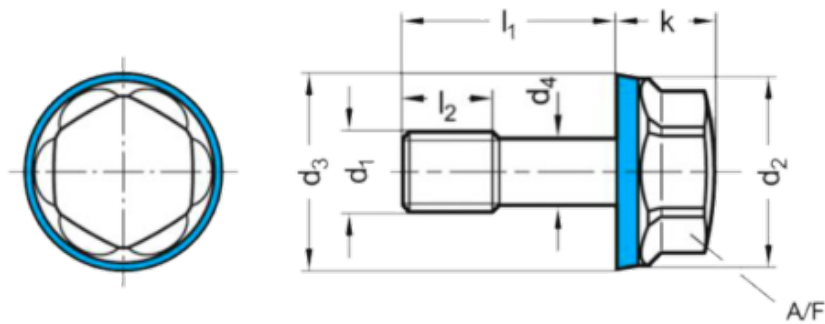
Data Sheet



Article number: 201581M840PLE1

Description: E+G Nut GN 1582-M8-40-PL-E-1
Hygienic design

Measures



a1	= 8-18	l1	= 40
a2	= 18-25	l2	= 10
a3	= 25-30	l3	= 4
AF	= 13	Weight	= 21
d3	= 16.8		
d4 -0,2	= -		
d5	= 8.5		
k	= 8.5		